

Mercury

Floodlight Series

Mercury-XL

Mercury-X

Mercury-L

Mercury-M

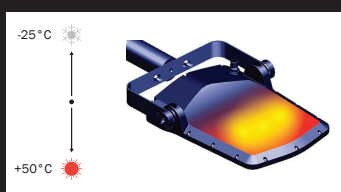
Mercury-S

Key Advantages

- Mercury is a projector for outdoor lighting, specifically designed to be equipped with a new generation of Power leds up to 39.500 lm. It is ideal to place the right emphasis on outdoor areas of public and private buildings. Perfect for applications where a powerful and ecological accent lighting is needed.
- Mercury's highly distinctive, organic design enables it to be incorporated flexibly into all types of architectural structures.
- Easy to install both on the wall or on the ground via fixation arm. Practical solution for a more flexible response to the needs of lighting design.
- The body is protected by a special antioxidizing treatment for a higher resistance against aggressive agents. Salt spray test being applied to ensure stability of finishing.
- The heat generated by the light source is dissipated by means of a passive cooling system.
- Thanks to its different power, kelvin and beam angle options, can be adapted to different applications facade lighting, area lighting to illuminating football pitches.

Operating Conditions

Thanks to its clever design heatsinks, our Mercury range can operate at extreme conditions between -25° +50° degree ambient temperature.



Features

- 1- High efficient lens optic with spot, medium, wide, wide flood and oval distribution options.
- 2- Highest efficiency power led's with 2700K, 3000K, 3500K, 4000K and 6000K CCT options.
- 3- Clever design cooling pins.
- 4- High quality LED driver that can function both in low and high Ta conditions with five years warranty. On/off, 1-10V and DALI options available.
- 5- 120dg adjustable mounting arm with mechanical lock system.



Optics

High efficient PMMA lens optic compatible to floodlighting applications.



Design

Mercury range has ultra slim and attractive design. Five different size and ten different power options with alternative optical distribution and colour temperatures makes this range very flexible that answers various requirements in outdoor lighting.



Visual Comfort and Safety

Different accessories like visor, protection grill and honeycomb filter can be integrated to Mercury to increase the visual comfort, decrease glare and increase safety.



Beam Angles

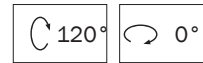
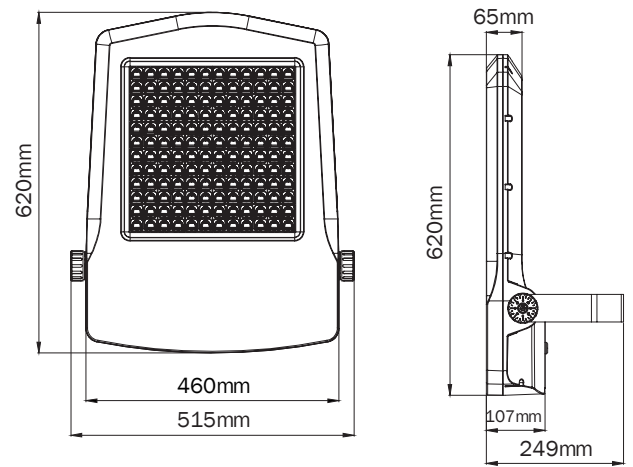
Various different light distribution options available in Mercury range.



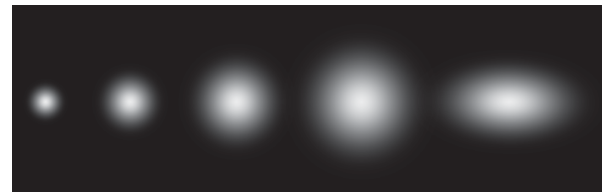
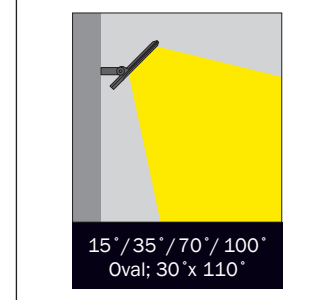


- Direct lighting luminaire for use with LEDs.
- Corrosion resistant die-cast aluminium body.
- Installation with bracket on floor, walls and ceiling surfaces.
- Mains voltage: 220-240V / 50-60Hz.
- Clever thermal design with internal cooling pins.
- Spot, medium, wide, wide flood and oval beam angles available.
- Led colour temperatures are optionally 2700K, 3000K, 3500K, 4000K and 6000K.
- Suitable for illumination up to 24 meter height.
- Optionally 2 cable entries for through-wiring of mains supply cable.
- Internal silicon gaskets ensure IP protection.
- All external screws are stainless steel.
- Double layer polyester powder paint resistant to corrosion and salt spray fog.
- Up to 150lm/W efficiency.
- High colour consistency: <3 SDCM
- Tunable White and RGBW options available.
- Stainless steel cable gland and mains cable provided with IP68 socket.
- Mechanical aiming lock.

Dimensions



Light Distribution



Mercury-XL / LGT.110.109

Code	LGT.110.109.01	LGT.110.109.02
System Power	225W	275W
Lumen Output from Fixture CRI>80	2700K	31730
	3000K	32380
	3500K	33040
	4000K	33714
	6000K	34725
Driving Current	475mA	585mA
Dali Dimming Option	✓	✓
1-10V Dimming Option	✓	✓

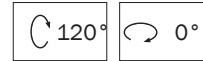
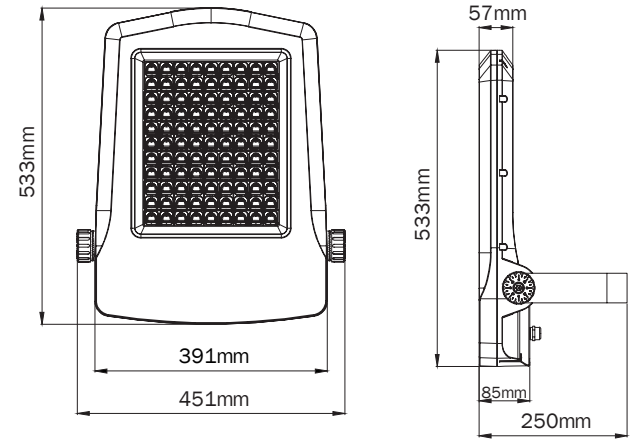
Code	LGT.110.109.03
Light Color Source	2700K-6000K Tunable White
LED Quantity	144
Beam Angle	15° / 35° / 70° / 100° / Oval; 30° x 110°
Digital Interface	Standard DMX protocol
Wireless Control	CASAMBI

Code	LGT.110.109.04
Light Color Source	RGBW 4 in 1 Power Led
LED Quantity	60
Beam Angle	15° / 35° / 70° / 100° / Oval; 30° x 110°
Digital Interface	Standard DMX protocol

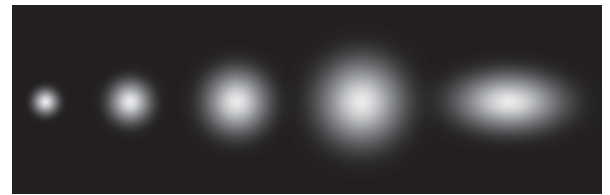
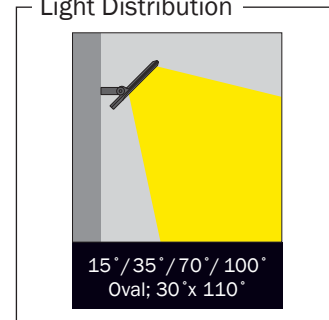


- Direct lighting luminaire for use with LEDs.
- Corrosion resistant die-cast aluminium body.
- Installation with bracket on floor, walls and ceiling surfaces.
- Mains voltage: 220-240V / 50-60Hz.
- Clever thermal design with internal cooling pins.
- Spot, medium, wide, wide flood and oval beam angles available.
- Led colour temperatures are optionally 2700K, 3000K, 3500K, 4000K and 6000K.
- Suitable for illumination up to 20 meter height.
- Optionally 2 cable entries for through-wiring of mains supply cable.
- Internal silicon gaskets ensure IP protection.
- All external screws are stainless steel.
- Double layer polyester powder paint resistant to corrosion and salt spray fog.
- Up to 149lm/W efficiency.
- High colour consistency: <3 SDCM
- Tunable White and RGBW options available.
- Stainless steel cable gland and mains cable provided with IP68 socket.
- Mechanical aiming lock.

Dimensions



Light Distribution



Mercury-X / LGT.110.108

Code	LGT.110.108.01	LGT.110.108.02
System Power	150W	200W
Lumen Output from Fixture CRI>80	2700K	21110
	3000K	21540
	3500K	21980
	4000K	22426
	6000K	23100
Driving Current	965mA	1300mA
Dali Dimming Option	✓	✓
1-10V Dimming Option	✓	✓

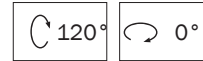
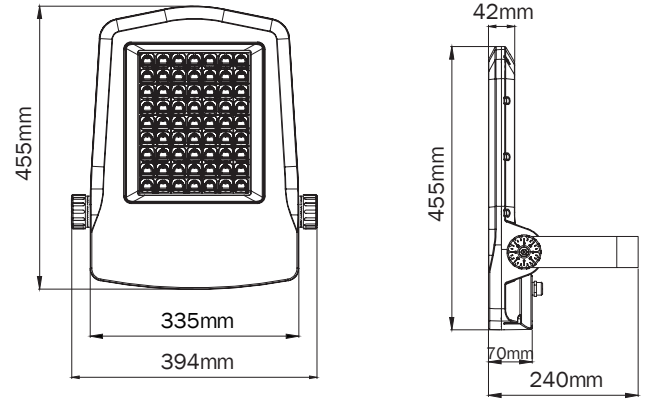
Code	LGT.110.108.03
Light Color Source	2700K-6000K Tunable White
LED Quantity	99
Beam Angle	15°/35°/70°/100° / Oval; 30°x110°
Digital Interface	Standard DMX protocol
Wireless Control	CASAMBI

Code	LGT.110.108.04
Light Color Source	RGBW 4 in 1 Power Led
LED Quantity	36
Beam Angle	15°/35°/70°/100° / Oval; 30°x110°
Digital Interface	Standard DMX protocol

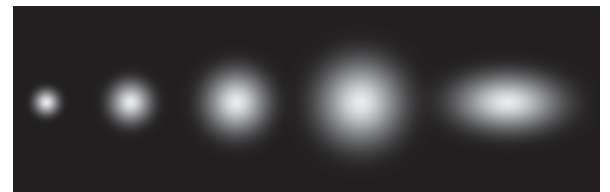
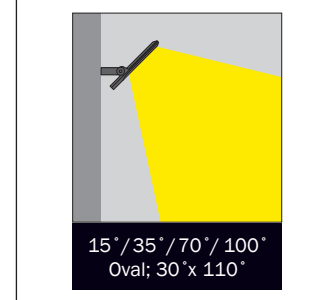


- Direct lighting luminaire for use with LEDs.
- Corrosion resistant die-cast aluminium body.
- Installation with bracket on floor, walls and ceiling surfaces.
- Mains voltage: 220-240V / 50-60Hz.
- Clever thermal design with internal cooling pins.
- Spot, medium, wide, wide flood and oval beam angles available.
- Led colour temperatures are optionally 2700K, 3000K, 3500K, 4000K and 6000K.
- Suitable for illumination up to 16 meter height.
- Optionally 2 cable entries for through-wiring of mains supply cable.
- Internal silicon gaskets ensure IP protection.
- All external screws are stainless steel.
- Double layer polyester powder paint resistant to corrosion and salt spray fog.
- Up to 148lm/W efficiency.
- High colour consistency: <3 SDCM
- Tunable White and RGBW options available.
- Stainless steel cable gland and mains cable provided with IP68 socket.
- Mechanical aiming lock.

Dimensions



Light Distribution



Mercury-L / LGT.110.107

Code	LGT.110.107.01	LGT.110.107.02
System Power	100W	125W
Lumen Output from Fixture CRI>80	2700K	14010
	3000K	14300
	3500K	14585
	4000K	14884
	6000K	15330
Driving Current	500mA	635mA
Dali Dimming Option	✓	✓
1-10V Dimming Option	✓	✓

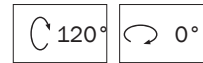
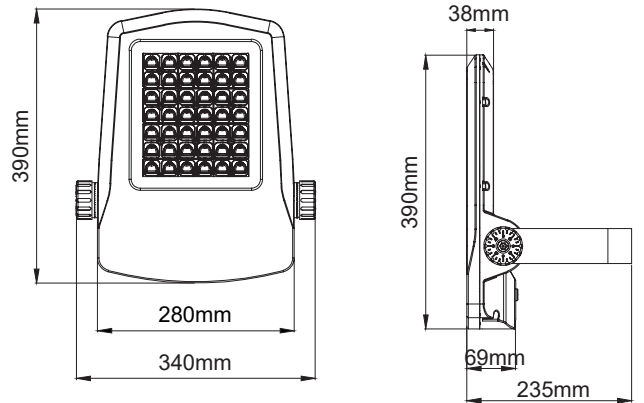
Code	LGT.110.107.03
Light Color Source	2700K-6000K Tunable White
LED Quantity	63
Beam Angle	15° / 35° / 70° / 100° / Oval; 30° x 110°
Digital Interface	Standard DMX protocol
Wireless Control	CASAMBI

Code	LGT.110.107.04
Light Color Source	RGBW 4 in 1 Power Led
LED Quantity	24
Beam Angle	15° / 35° / 70° / 100° / Oval; 30° x 110°
Digital Interface	Standard DMX protocol

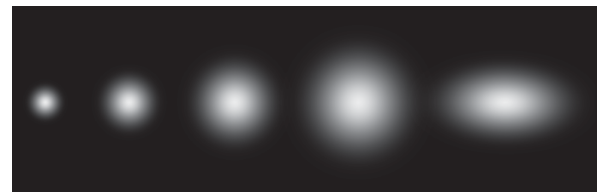
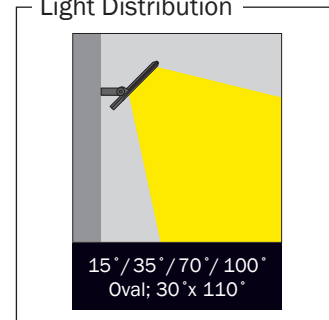


- Direct lighting luminaire for use with LEDs.
- Corrosion resistant die-cast aluminium body.
- Installation with bracket on floor, walls and ceiling surfaces.
- Mains voltage: 220-240V / 50-60Hz.
- Clever thermal design with internal cooling pins.
- Spot, medium, wide, wide flood and oval beam angles available.
- Led colour temperatures are optionally 2700K, 3000K, 3500K, 4000K and 6000K.
- Suitable for illumination up to 12 meter height.
- Optionally 2 cable entries for through-wiring of mains supply cable.
- Internal silicon gaskets ensure IP protection.
- All external screws are stainless steel.
- Double layer polyester powder paint resistant to corrosion and salt spray fog.
- Up to 144lm/W efficiency.
- High colour consistency: <3 SDCM
- Tunable White and RGBW options available.
- Stainless steel cable gland and mains cable provided with IP68 socket.
- Mechanical aiming lock.

Dimensions



Light Distribution



Mercury-M / [LGT.110.106](#)

Code	LGT.110.106.01	LGT.110.106.02
System Power	50W	75W
Lumen Output from Fixture CRI>80	2700K	7005
	3000K	7145
	3500K	7295
	4000K	7442
	6000K	7665
Driving Current	375mA	575mA
Dali Dimming Option	✓	✓
1-10V Dimming Option	✓	✓

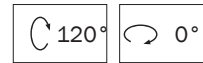
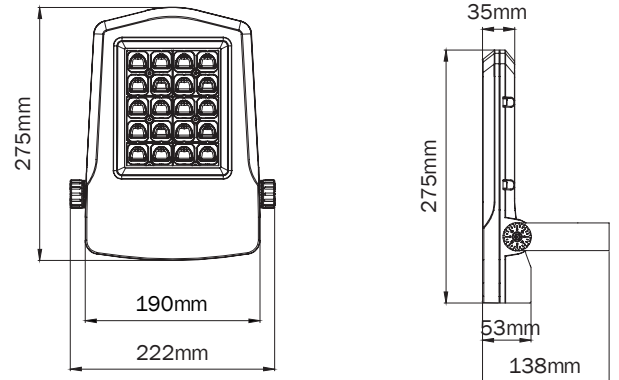
Code /	LGT.110.106.03
Light Color Source /	2700K-6000K Tunable White
LED Quantity /	42
Beam Angle /	15°/35°/70°/100° / Oval; 30°x110°
Digital Interface /	Standard DMX protocol
Wireless Control /	CASAMBI

Code /	LGT.110.106.04
Light Color Source /	RGBW 4 in 1 Power Led
LED Quantity /	16
Beam Angle /	15°/35°/70°/100° / Oval; 30°x110°
Digital Interface /	Standard DMX protocol

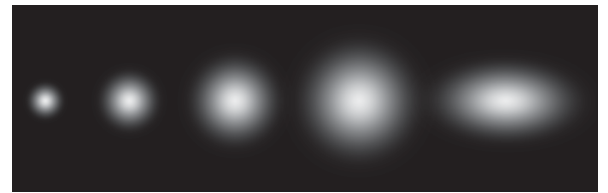
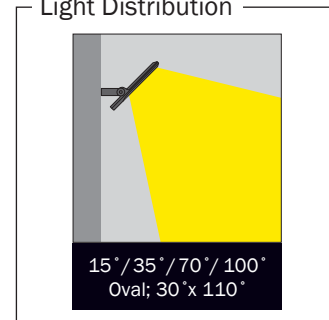


- Direct lighting luminaire for use with LEDs.
- Corrosion resistant die-cast aluminium body.
- Installation with bracket on floor, walls and ceiling surfaces.
- Mains voltage: 220-240V / 50-60Hz.
- Clever thermal design with internal cooling pins.
- Spot, medium, wide, wide flood and oval beam angles available.
- Led colour temperatures are optionally 2700K, 3000K, 3500K, 4000K and 6000K.
- Suitable for illumination up to 8 meter height.
- Optionally 2 cable entries for through-wiring of mains supply cable.
- Internal silicon gaskets ensure IP protection.
- All external screws are stainless steel.
- Double layer polyester powder paint resistant to corrosion and salt spray fog.
- Up to 144lm/W efficiency.
- High colour consistency: <3 SDCM
- Tunable White and RGBW options available.
- Stainless steel cable gland and mains cable provided with IP68 socket.
- Mechanical aiming lock.

Dimensions



Light Distribution



Mercury-S / [LGT.110.105](#)

Code	LGT.110.105.01	LGT.110.105.02
System Power	20W	40W
Lumen Output from Fixture	2700K	2800
	3000K	2860
	3500K	2915
	4000K	2977
CRI>80	6000K	3065
		5925
Driving Current	600mA	1280mA
Dali Dimming Option	✓	✓
1-10V Dimming Option	✓	✓

Code	LGT.110.105.03
Light Color Source	2700K-6000K Tunable White
LED Quantity	20
Beam Angle	15°/35°/70°/100°/ Oval; 30°x110°
Digital Interface	Standard DMX protocol Standart DMX protokol
Wireless Control	CASAMBI

Code	LGT.110.105.04
Light Color Source	RGBW 4 in 1 Power Led
LED Quantity	8
Beam Angle	15°/35°/70°/100°/ Oval; 30°x110°
Digital Interface	Standard DMX protocol